



ADAICO®

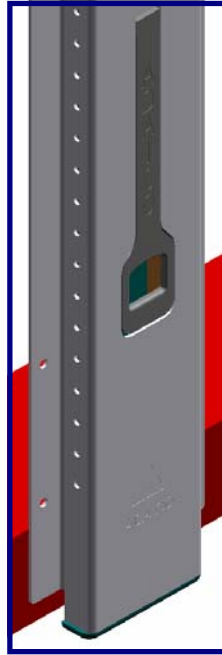
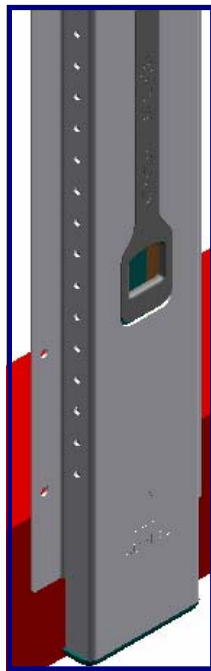
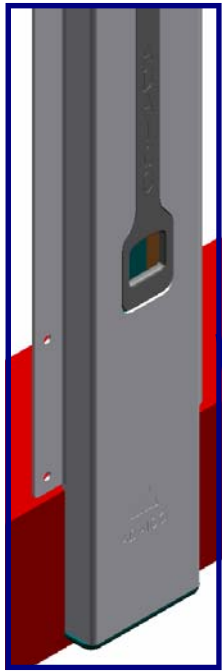
NUEVOS PILARES / NEW PILLARS / NOUVEAUX RANCHERS / NEUES RUNGEN / NUEVOS

DIFFERENCES IN PILLARS / DIFFERENCES IN PILLARS / DIFFERENCES IN PILLARS / DIFFERENCE

-
-
-
-

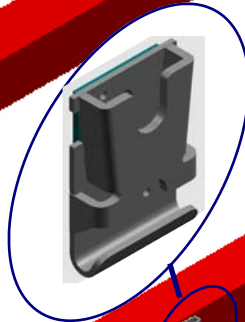
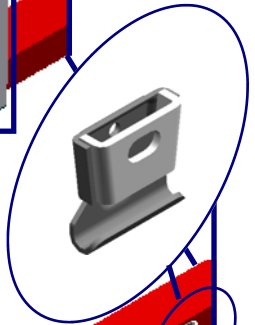
NEW PILLARS WITH PIERCED PLATE

OLD PILLAR

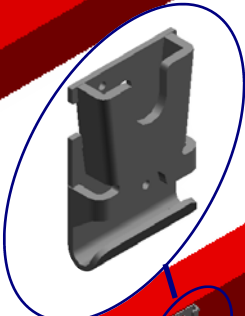


REDUCED CHASSIS-HOOK

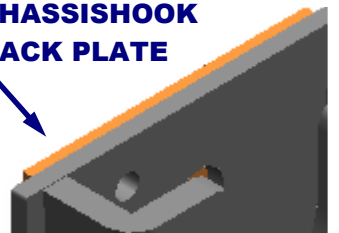
NORMAL CHASSIS-HOOK



NEW REDUCED CHASSISHOOK

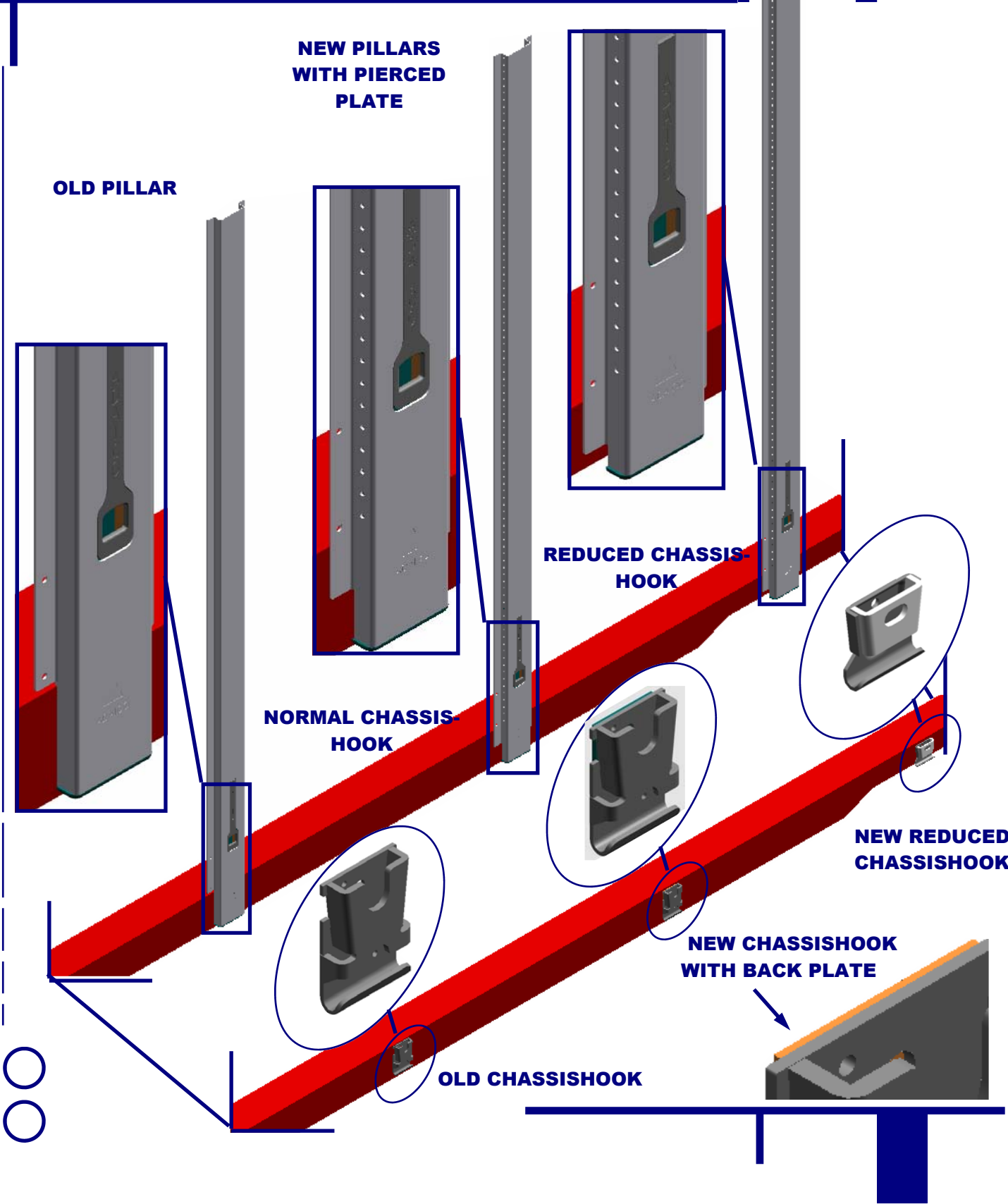


NEW CHASSISHOOK WITH BACK PLATE

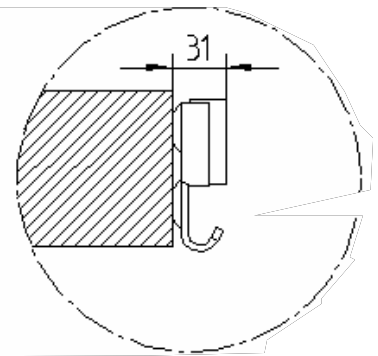
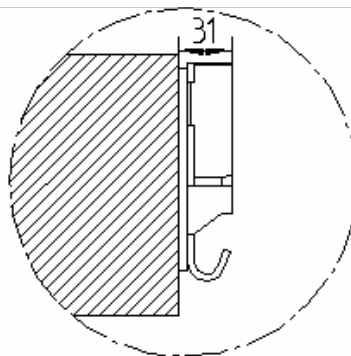
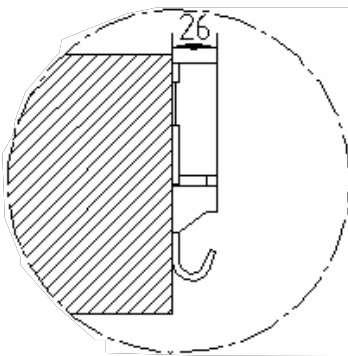
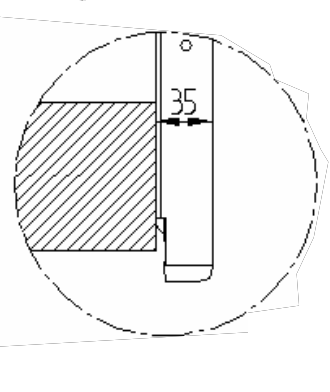
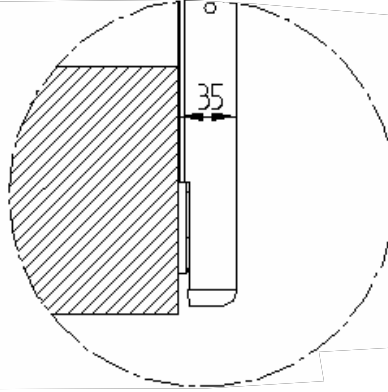
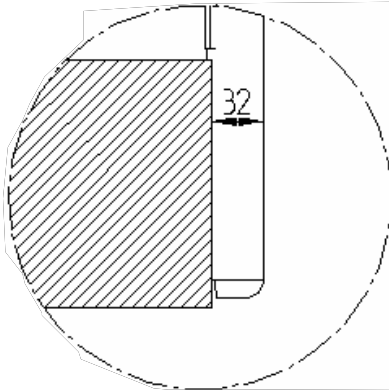
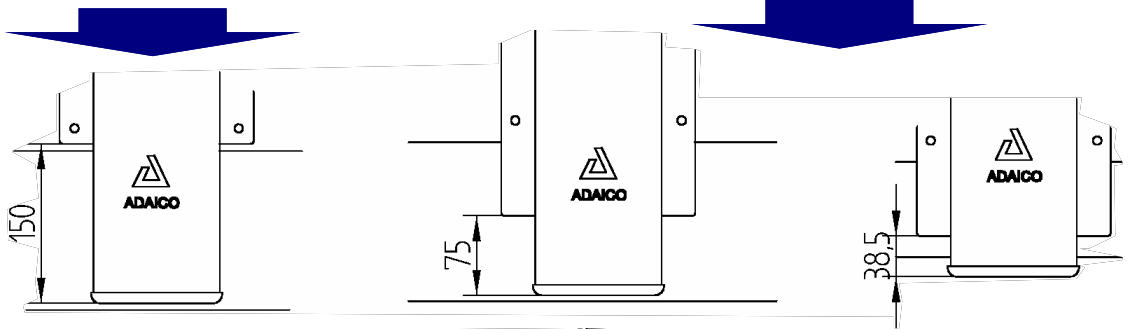


OLD CHASSISHOOK

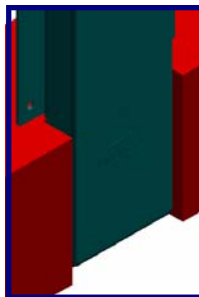
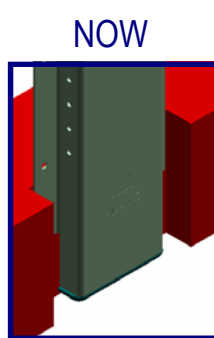
-
-



DIFFERENCES OF PILLARS / DIFFERENCES OF PILLARS / DIFFERENCES OF PILLARS / DIFFERENCE

OLD PILLAR
NEW PILLARS

ATTENTION !

Those builders who usually install the chassishook embedded into the chasis will need a bigger room, unless 193 mm, because the wing of the pillar is lower than in the old model.


BEFORE

NOW
